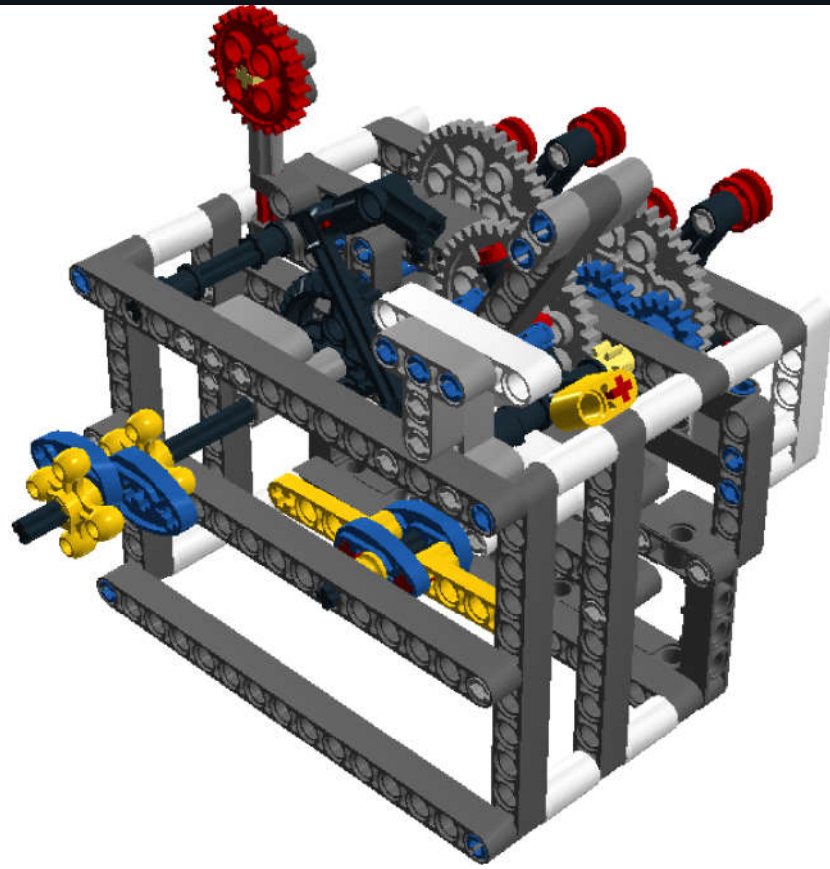


Model Name:
UselessMachine

Number of Bricks: 190



Step 1 of 84

1 x



1 x



Step 2 of 84

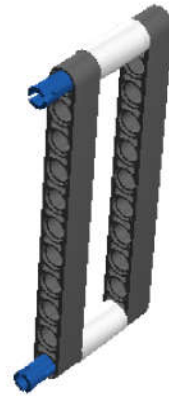
2 x



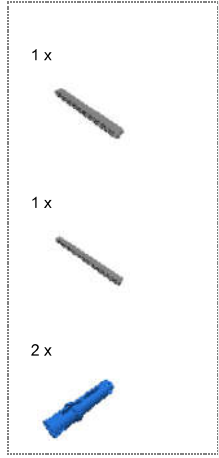
1 x



1 x



Step 3 of 84

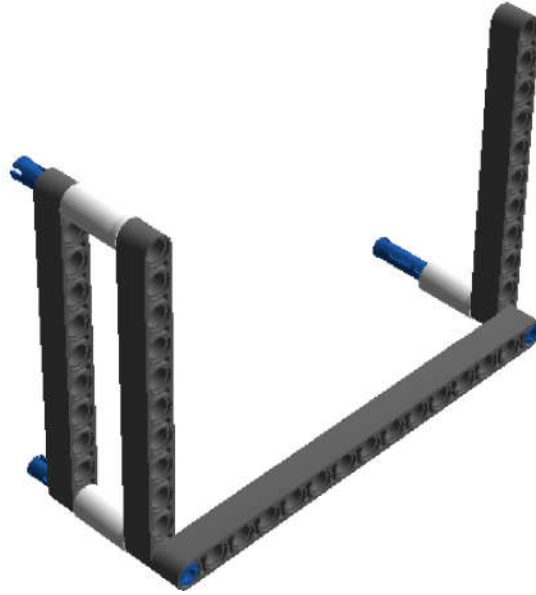


Step 4 of 84

1 x



1 x



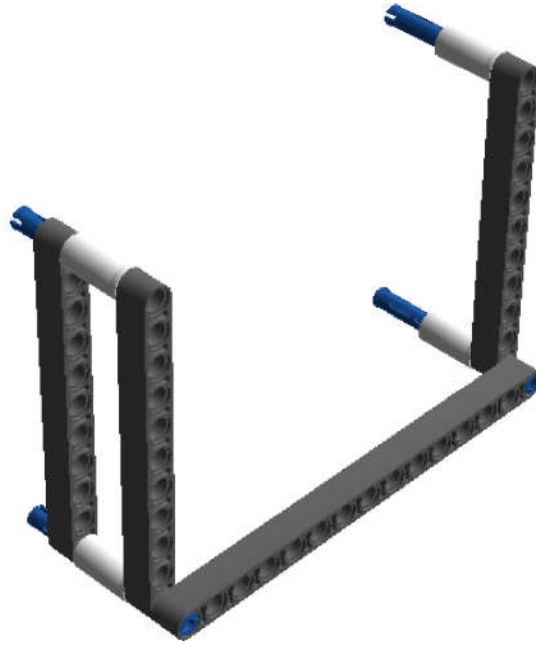
Step 5 of 84

1 x



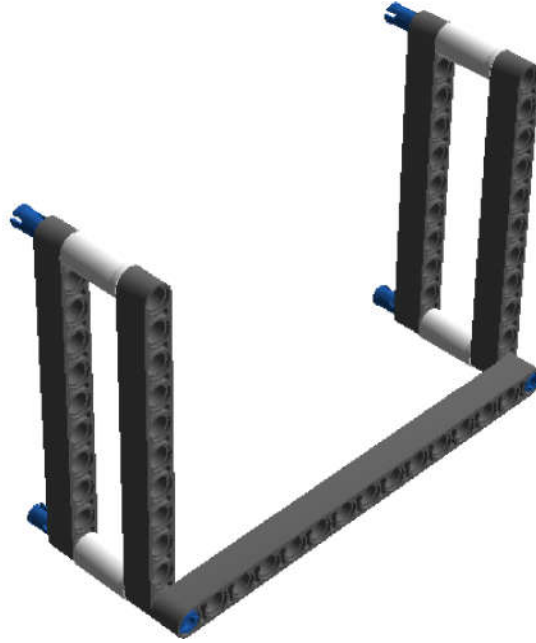
1 x





Step 7 of 84

1 x

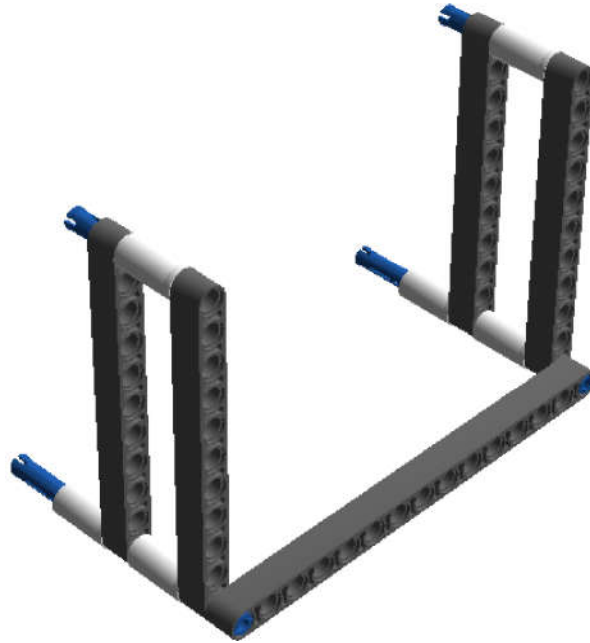


Step 8 of 84

2 x



2 x



Step 9 of 84

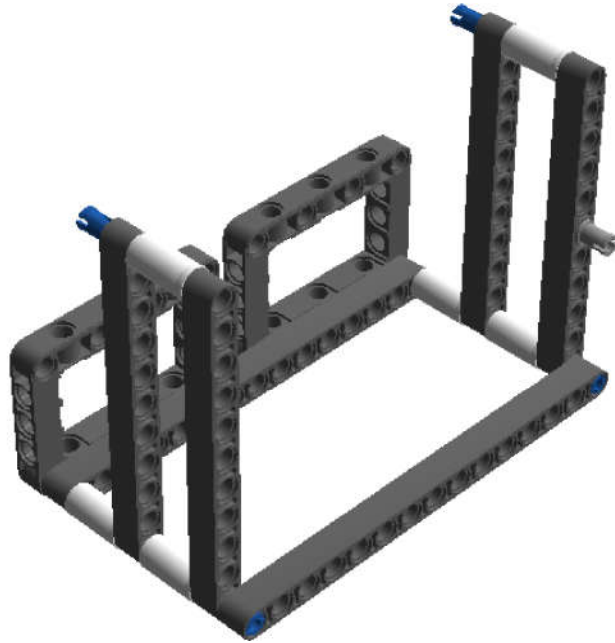
1 x



1 x



2 x

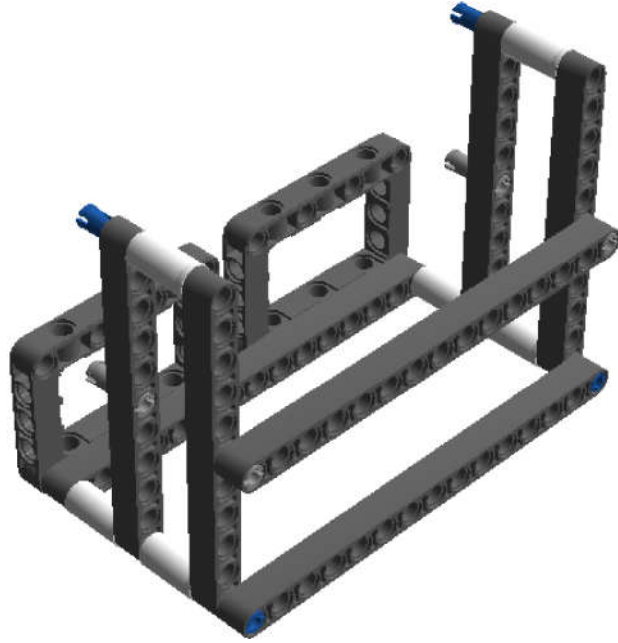


Step 10 of 84

1 x



3 x



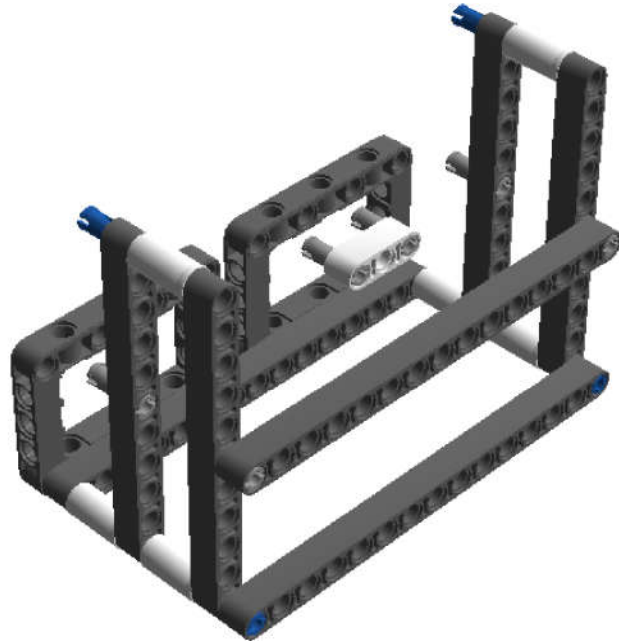
Step 11 of 84

1 x



2 x



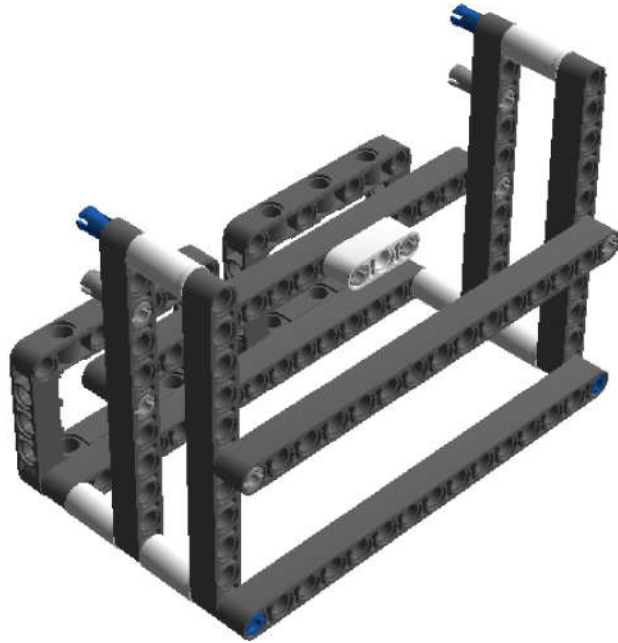


Step 13 of 84

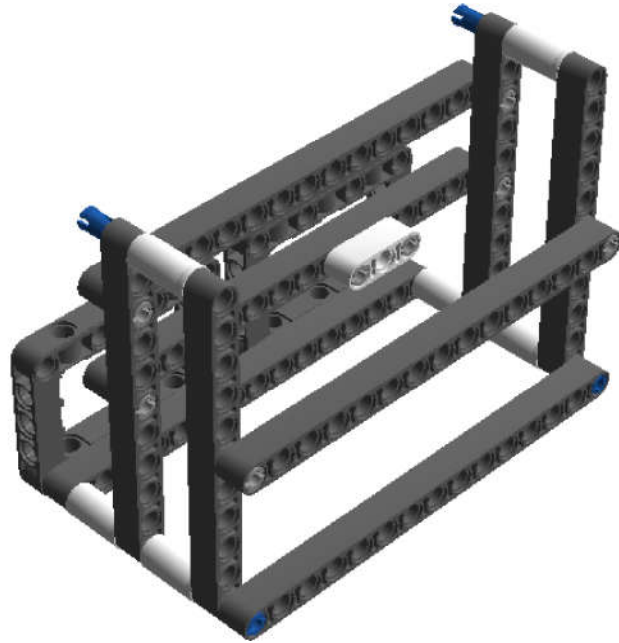
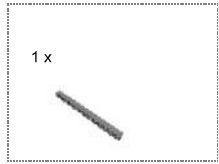
1 x



2 x



Step 14 of 84



Step 15 of 84

1 x



1 x



2 x



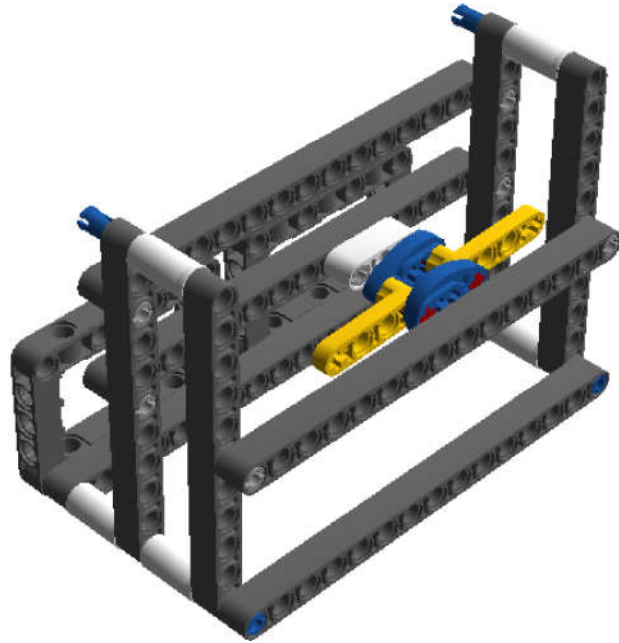
Step 16 of 84

1 x



1 x



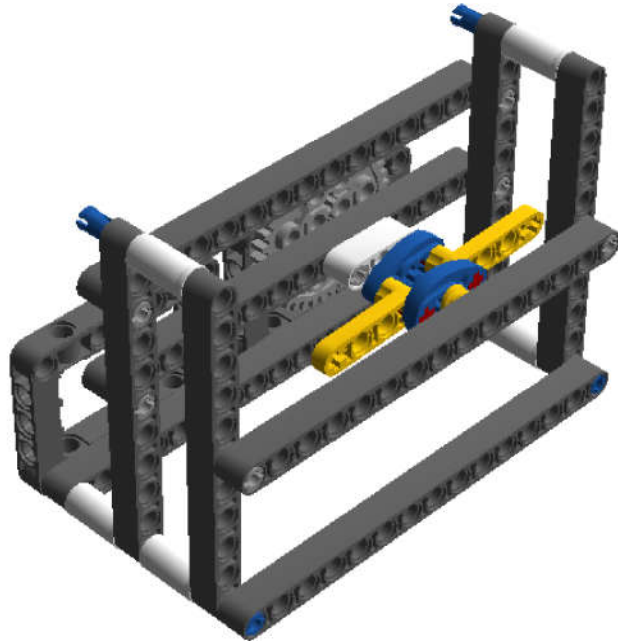


Step 18 of 84

1 x

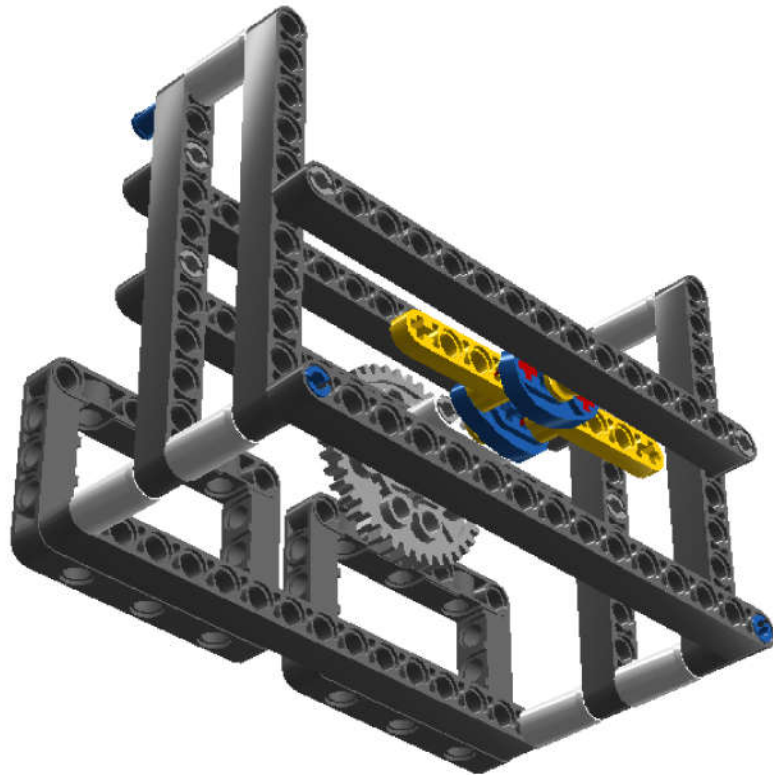


1 x



Step 19 of 84

1 x



Step 20 of 84

1 x



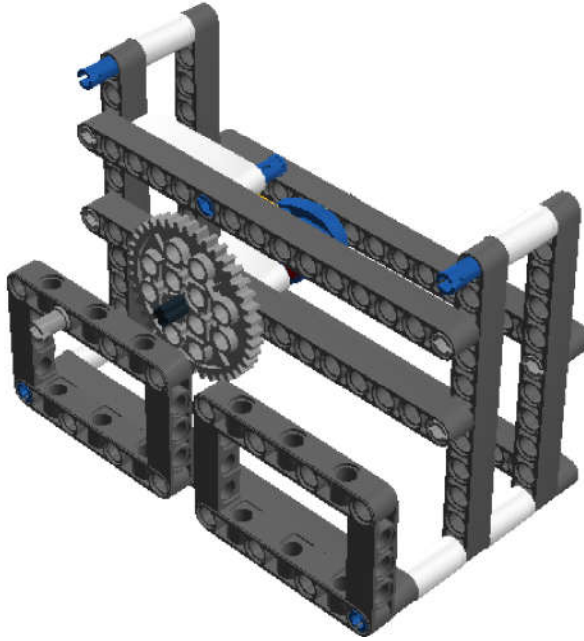
1 x



1 x



1 x



Step 21 of 84

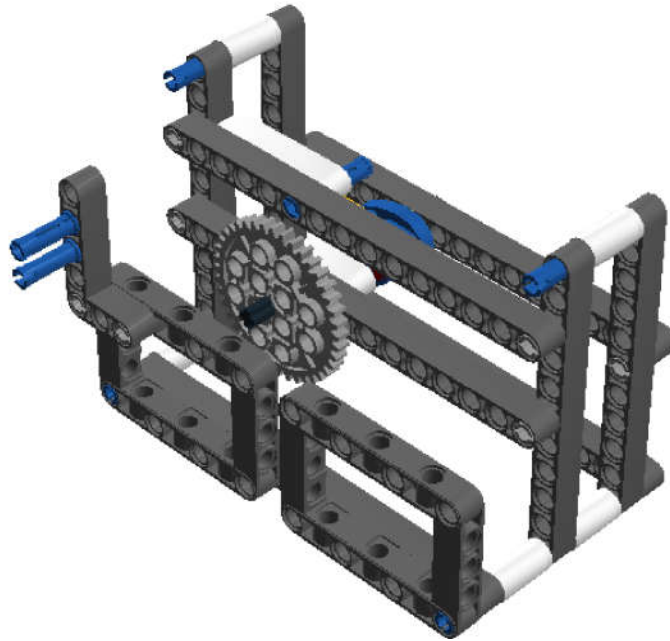
1 x



1 x



2 x



Step 22 of 84

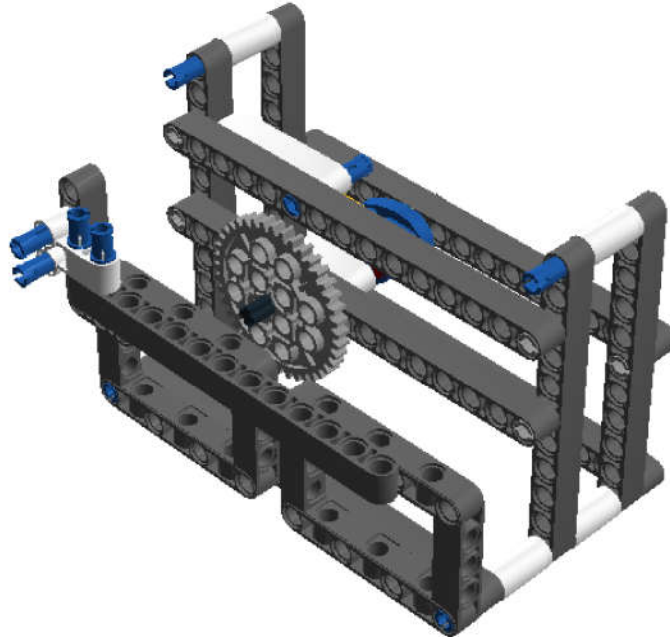
1 x



2 x



1 x

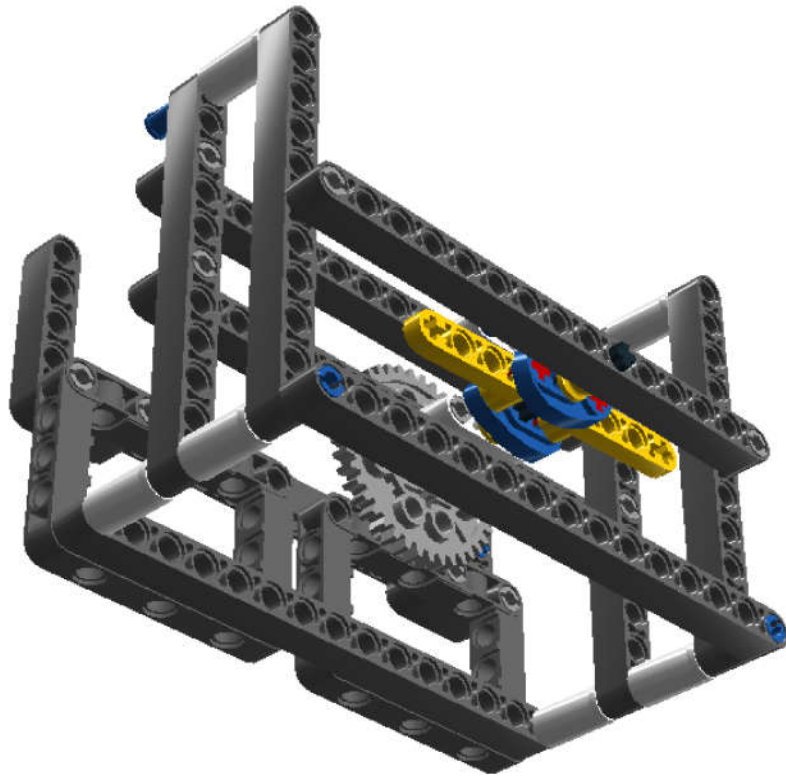


Step 23 of 84

1 x



2 x

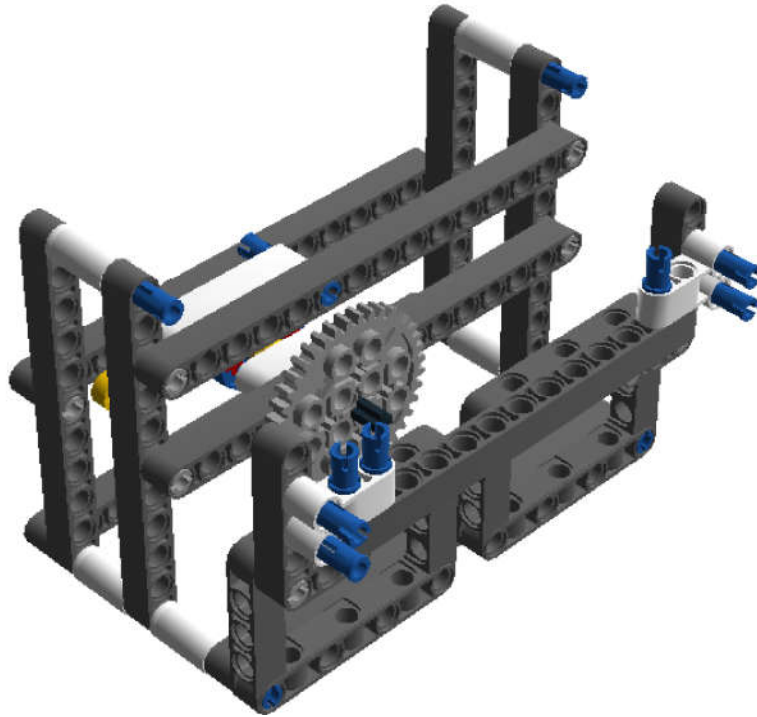


Step 24 of 84

3 x

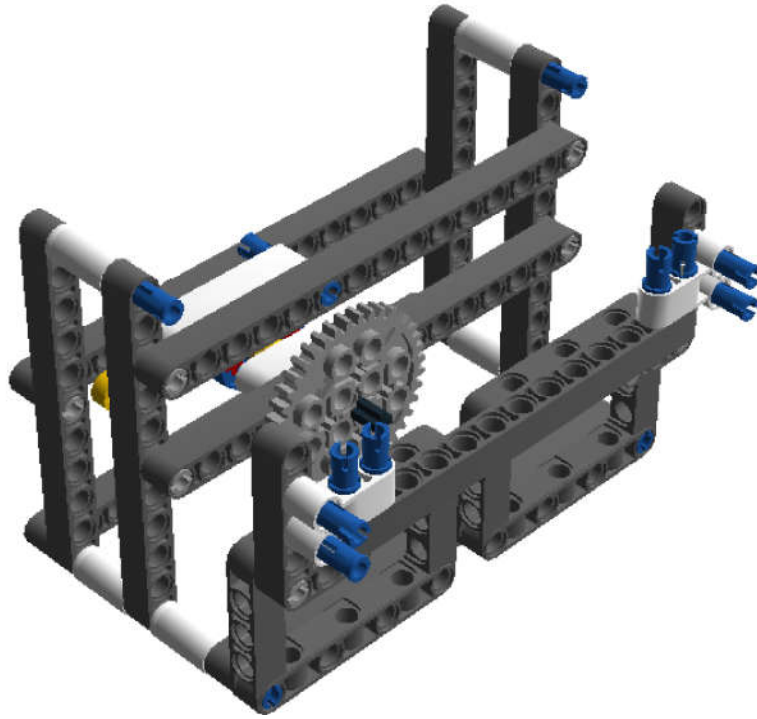


1 x

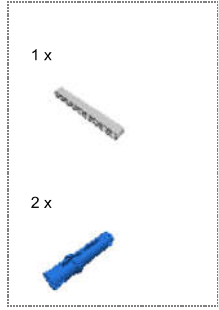


Step 25 of 84

1 x



Step 26 of 84



Step 27 of 84

2 x

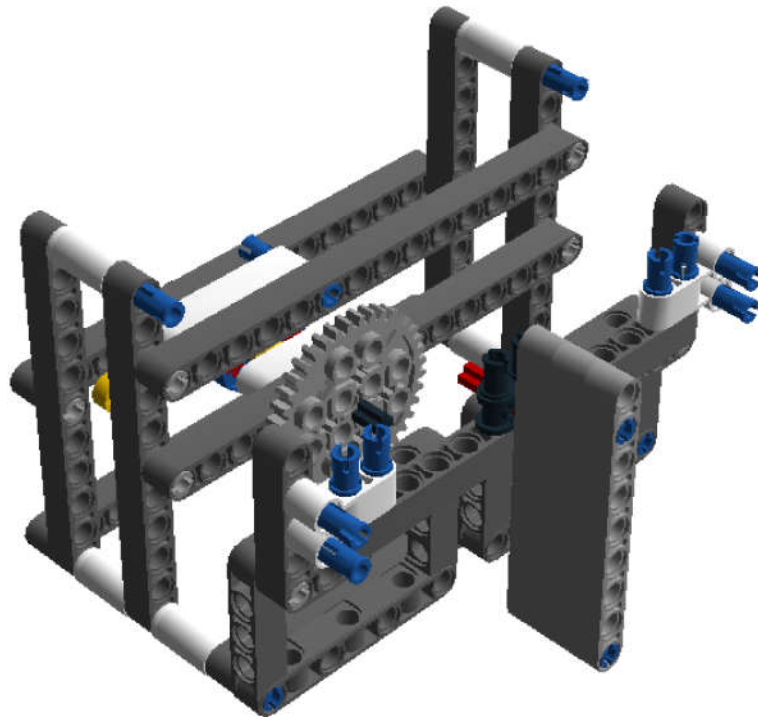


1 x



1 x





Step 30 of 84

1 x



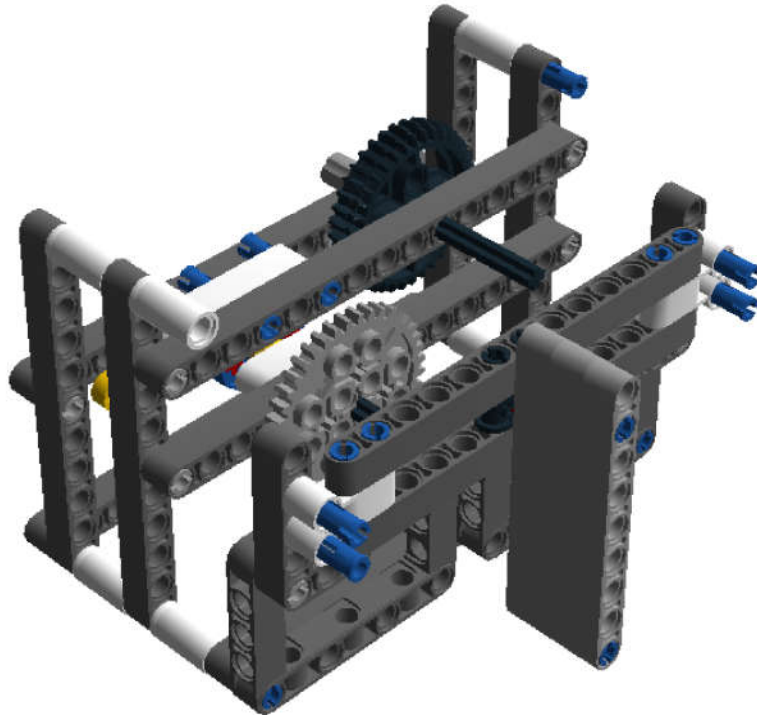
1 x



1 x

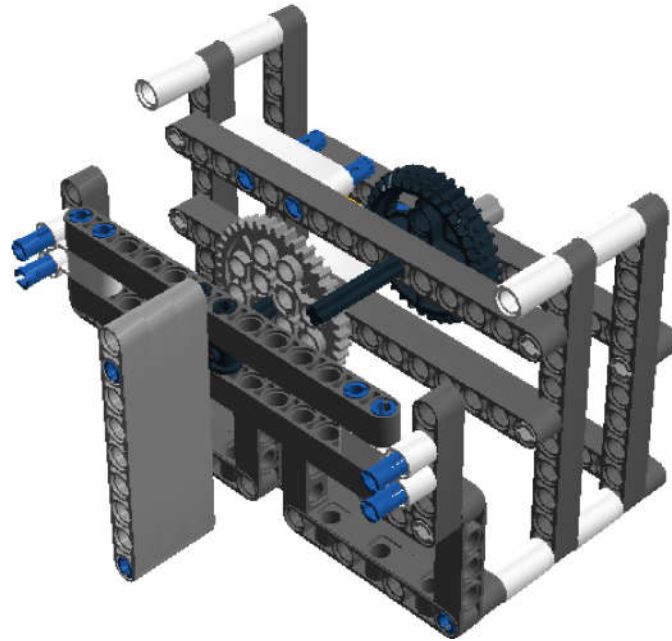


1 x



Step 31 of 84

1 x



Step 32 of 84

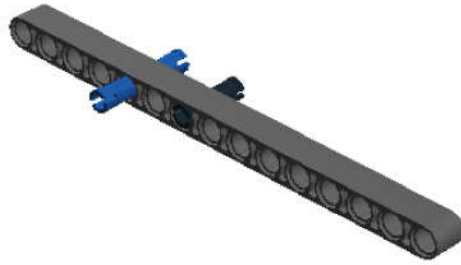
1 x



1 x



1 x



Step 33 of 84

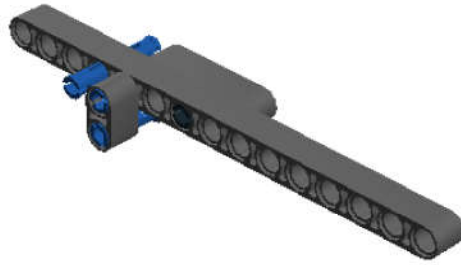
1 x



1 x



2 x

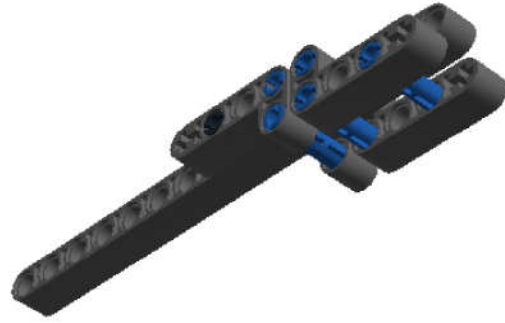


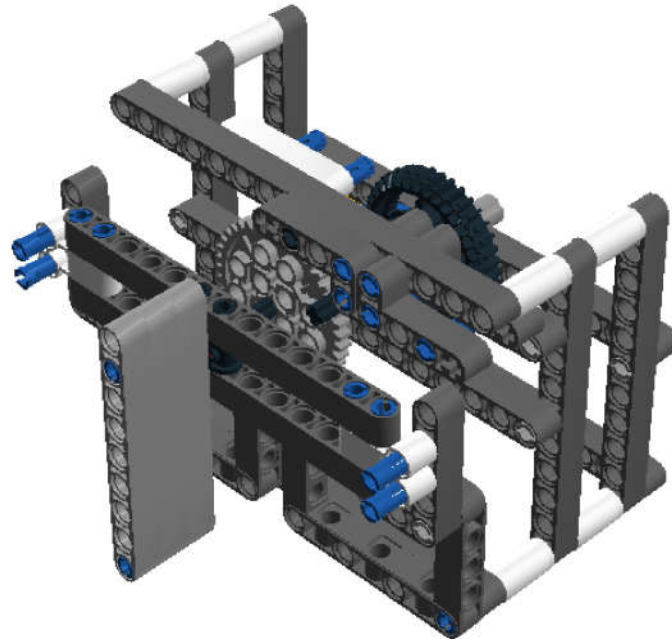
Step 34 of 84

2 x



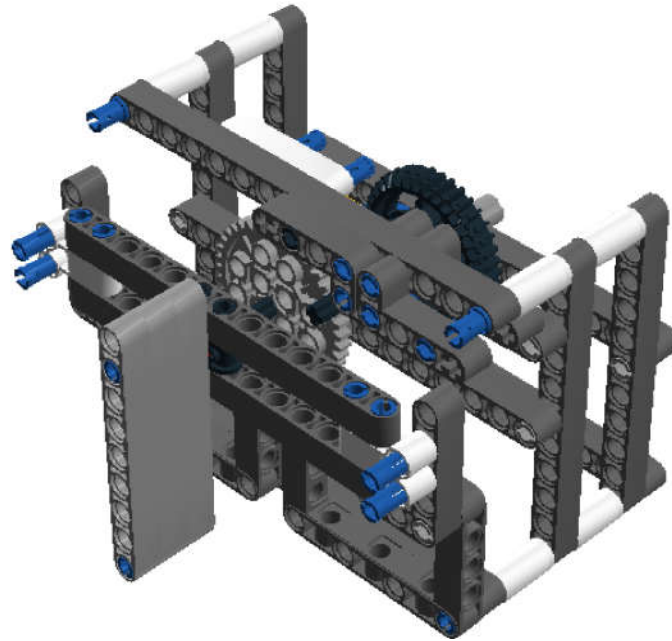
2 x





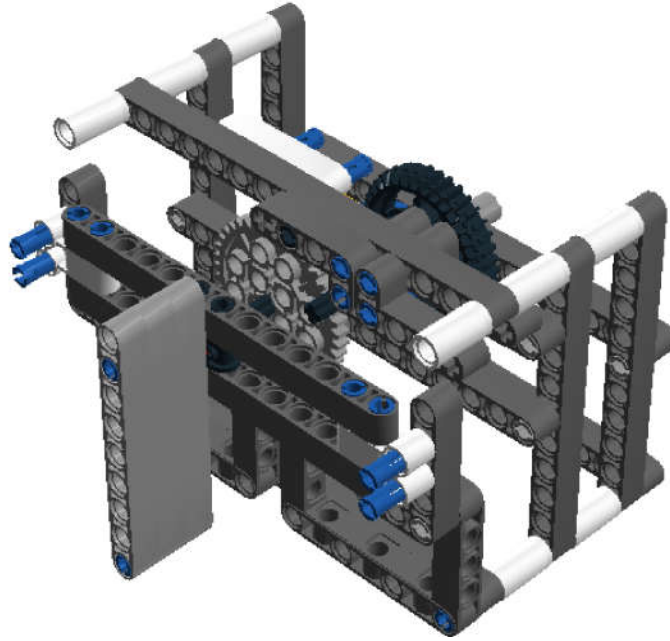
Step 36 of 84

2 x






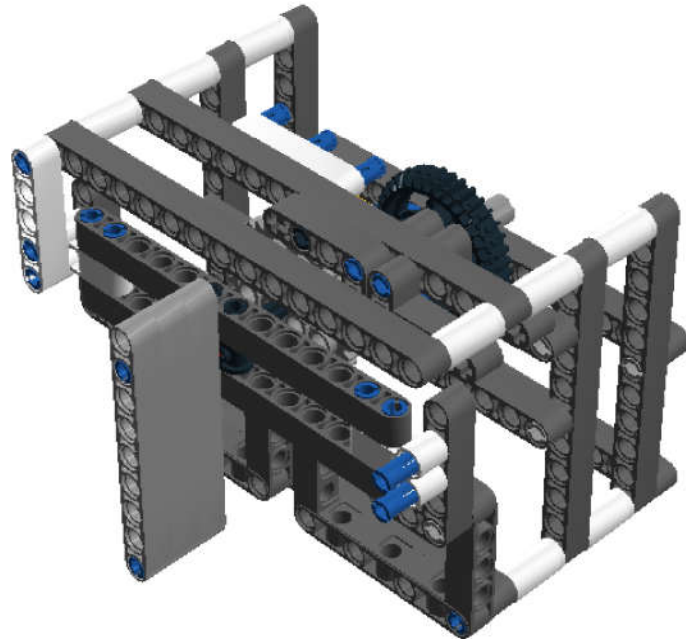
Step 37 of 84

2 x



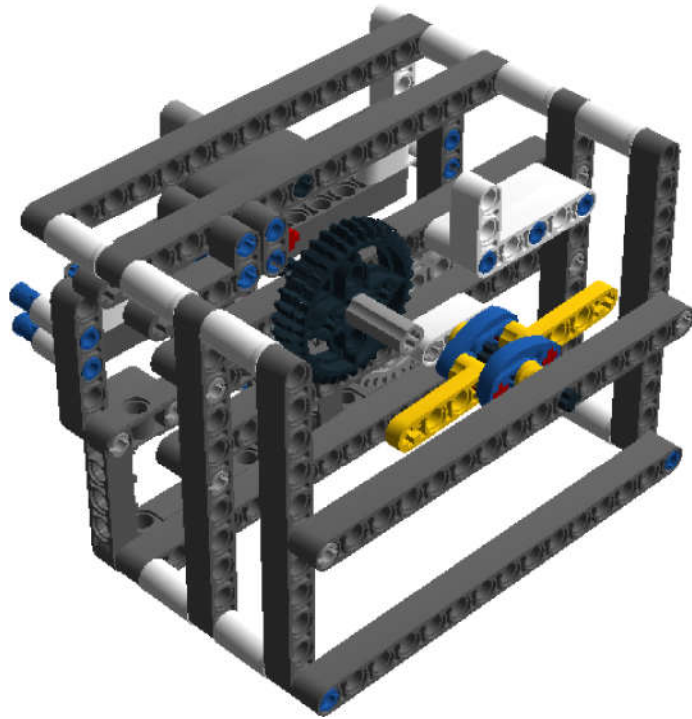
Step 38 of 84

- 1 x 
- 1 x 
- 2 x 



Step 39 of 84

1 x



Step 40 of 84

1 x

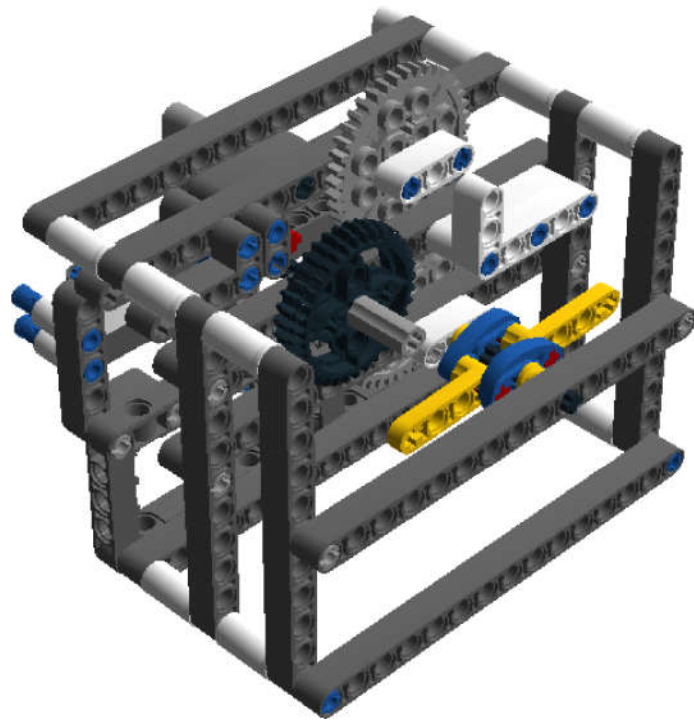


2 x

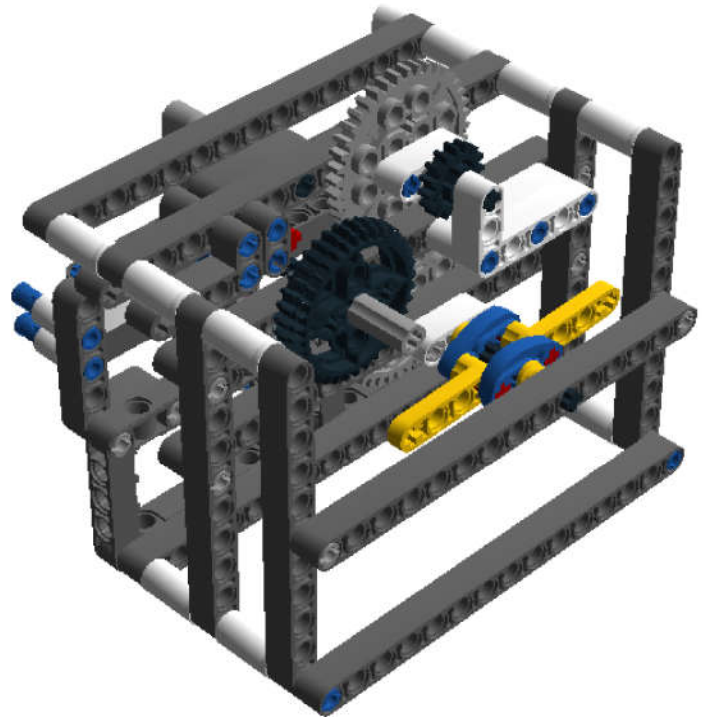
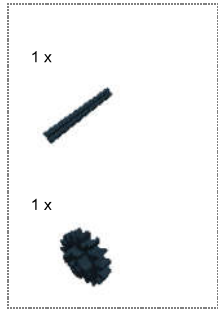


1 x





Step 42 of 84



Step 43 of 84

1 x



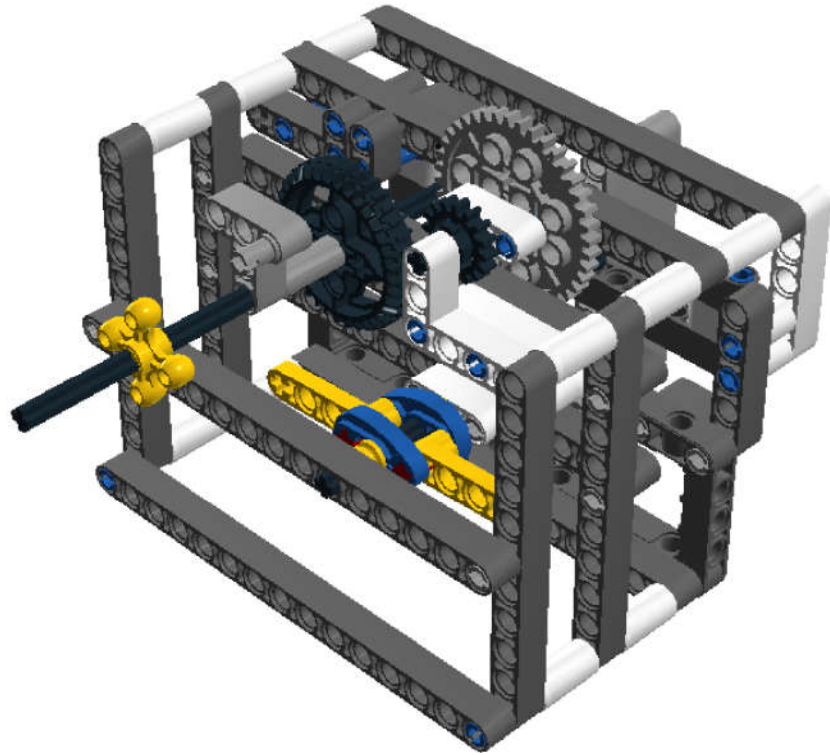
1 x



1 x



1 x

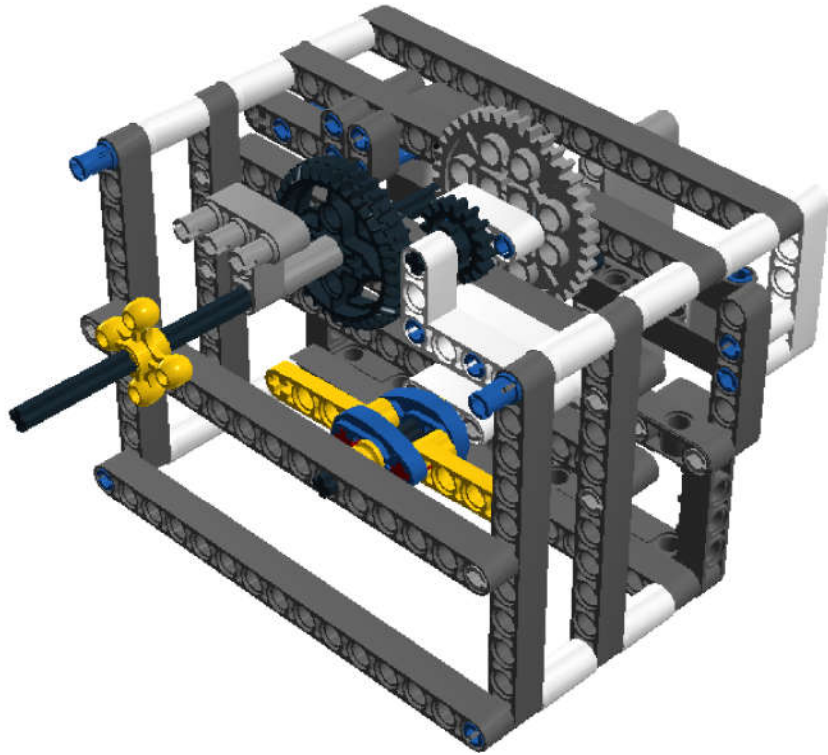


Step 44 of 84

2 x



2 x



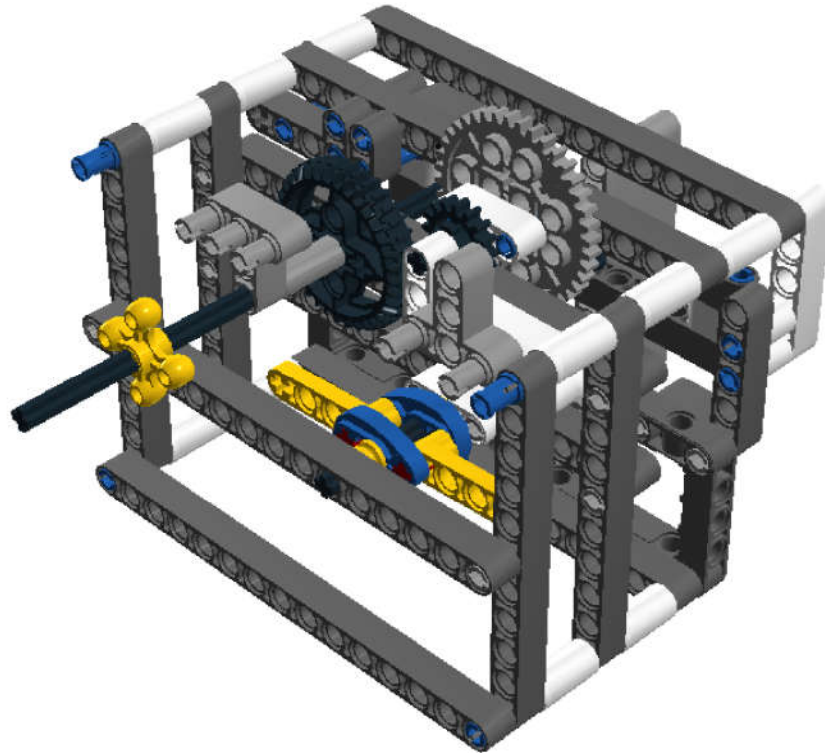
Step 45 of 84

1 x

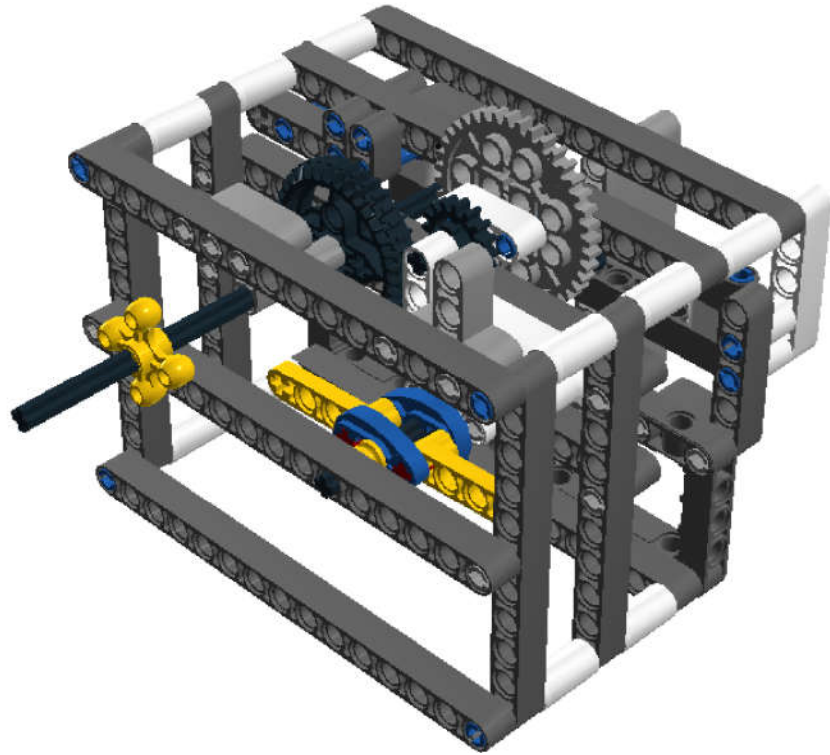
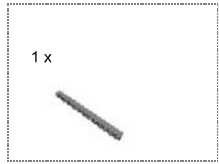


2 x





Step 47 of 84



Step 48 of 84

1 x



1 x



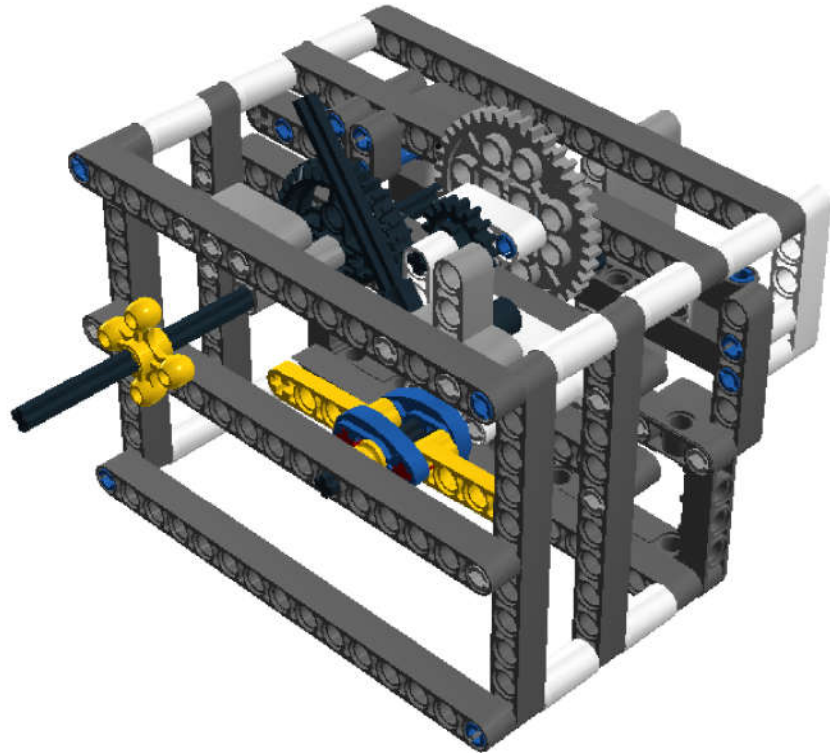
1 x



Step 49 of 84

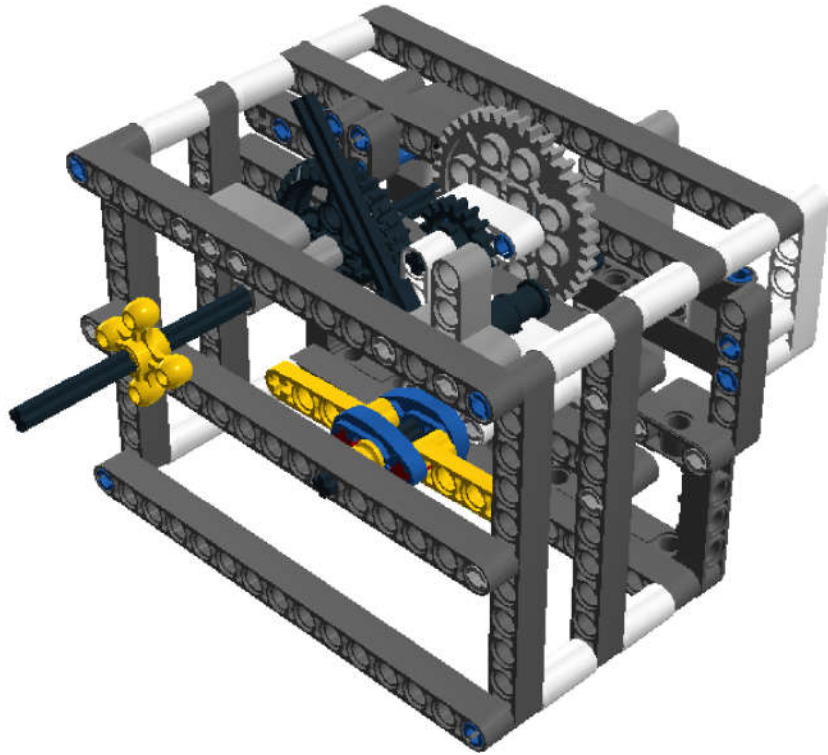
1 x





Step 51 of 84

1 x



Step 52 of 84

1 x



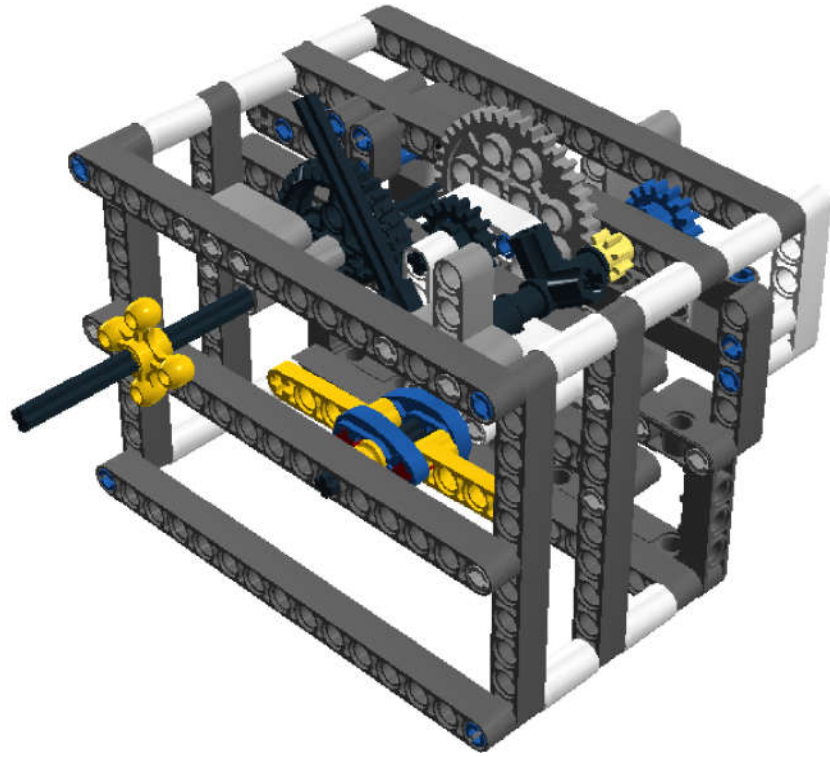
1 x



1 x

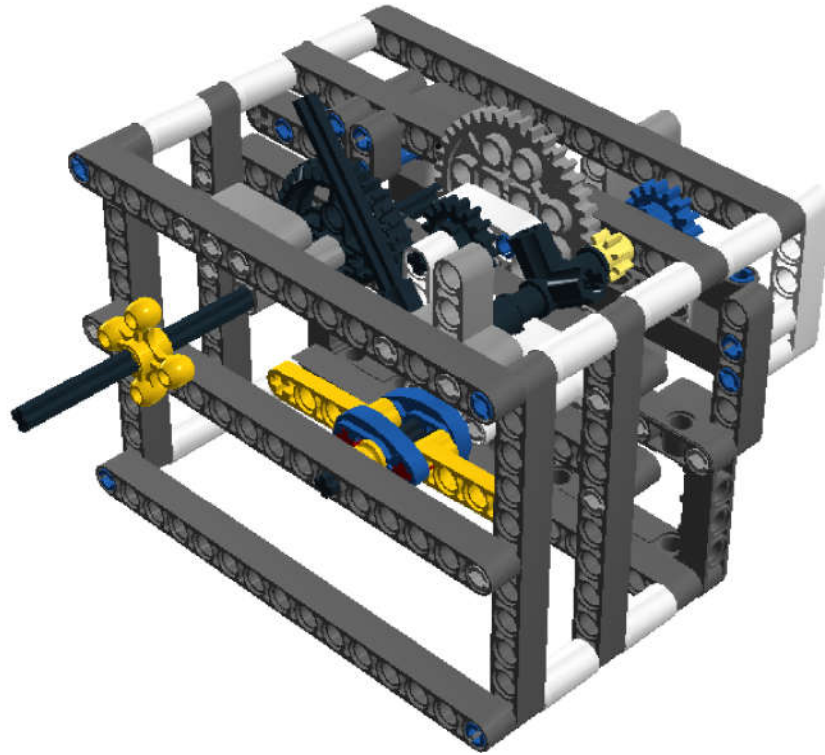


1 x



Step 53 of 84

1 x



Step 54 of 84

1 x

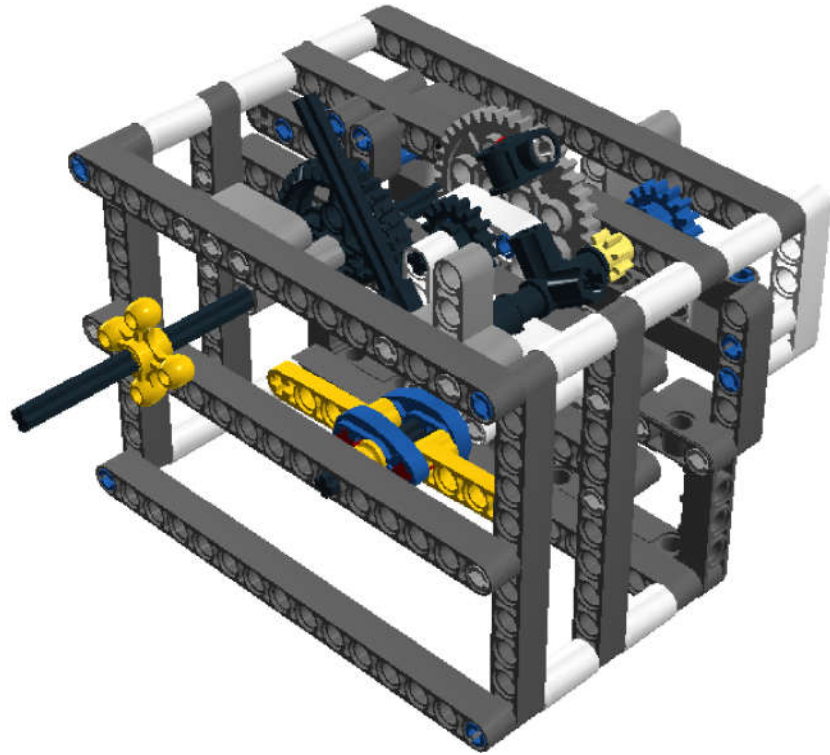


1 x



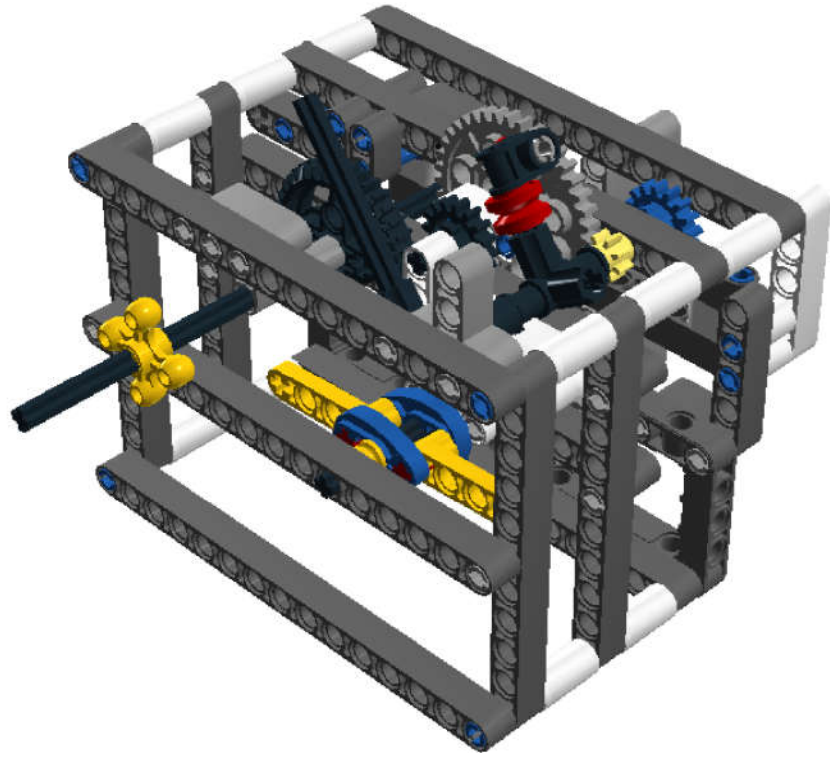
1 x





Step 56 of 84

1 x



Step 57 of 84

1 x



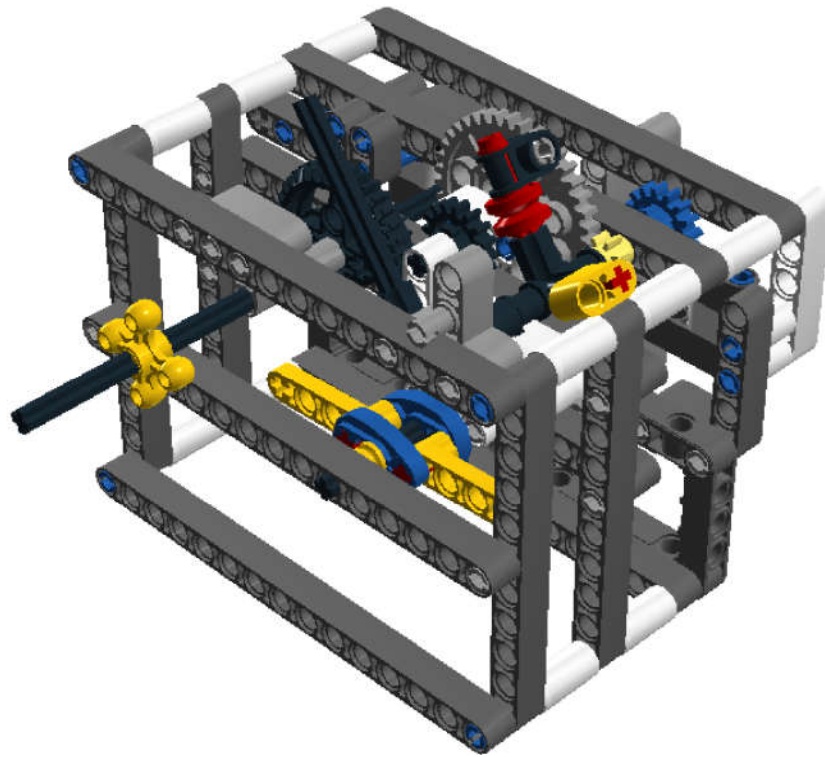
1 x



1 x

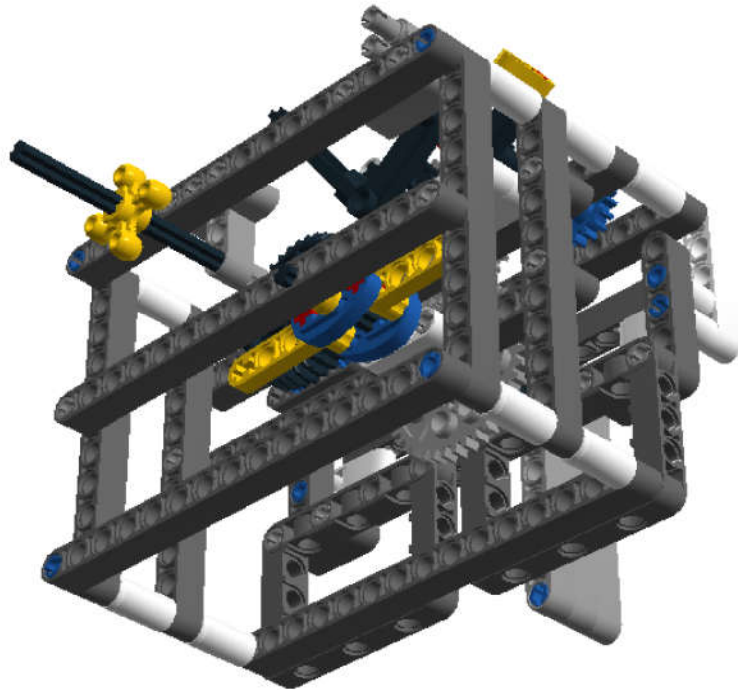


1 x



Step 58 of 84

1 x



Step 59 of 84

1 x



1 x



1 x



Step 60 of 84

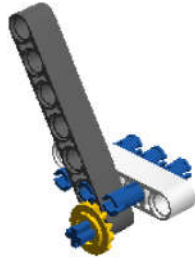
1 x

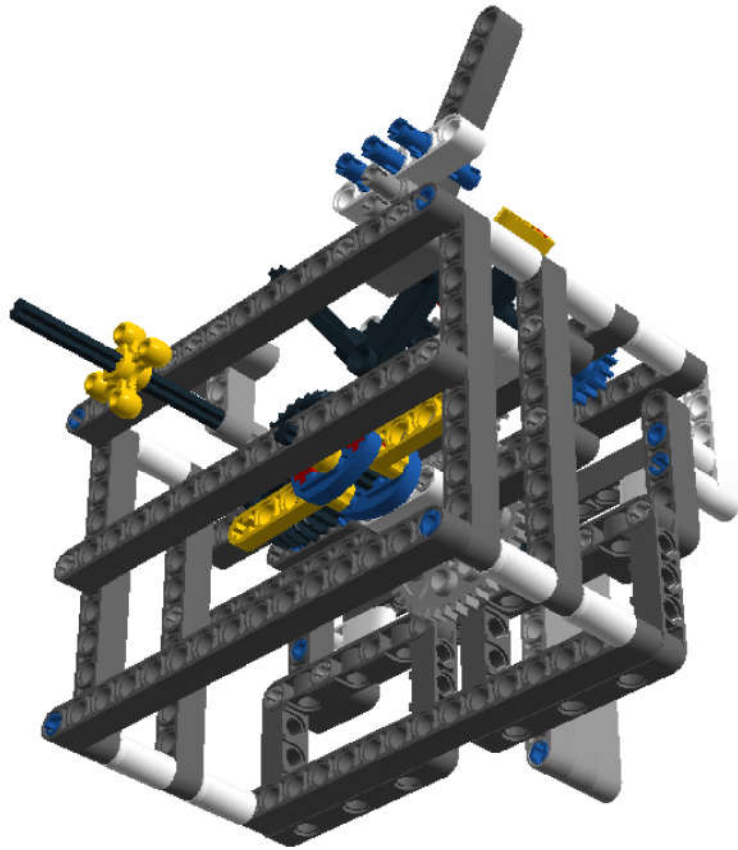


2 x



1 x



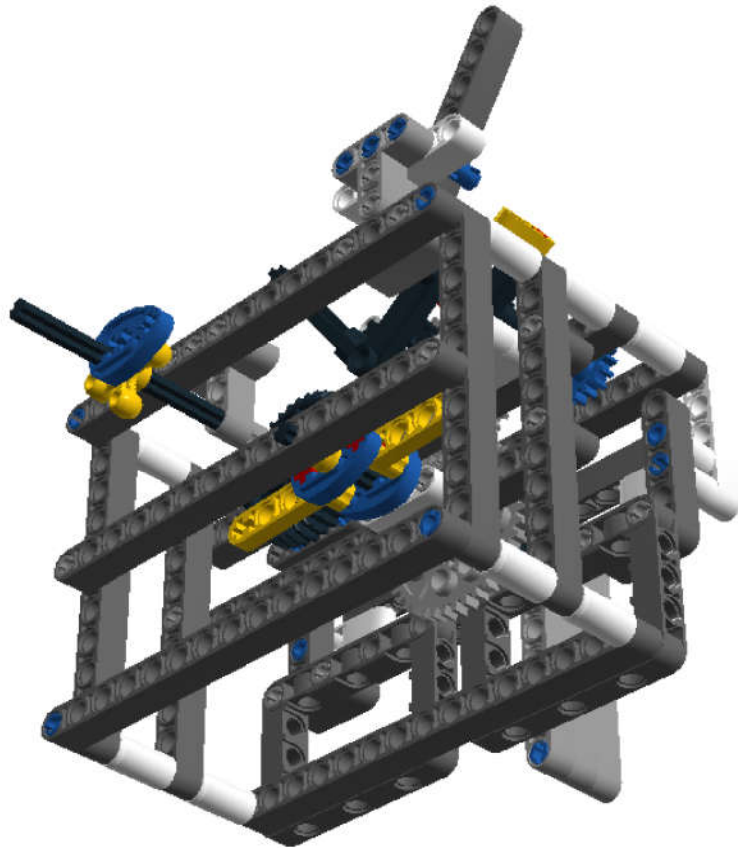


Step 62 of 84

1 x



1 x

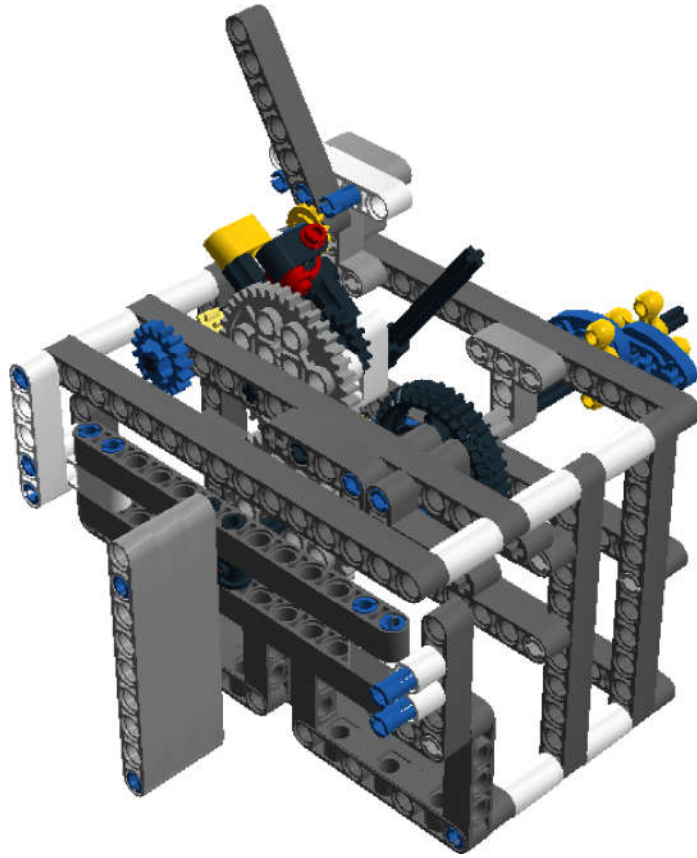


Step 63 of 84

1 x



1 x



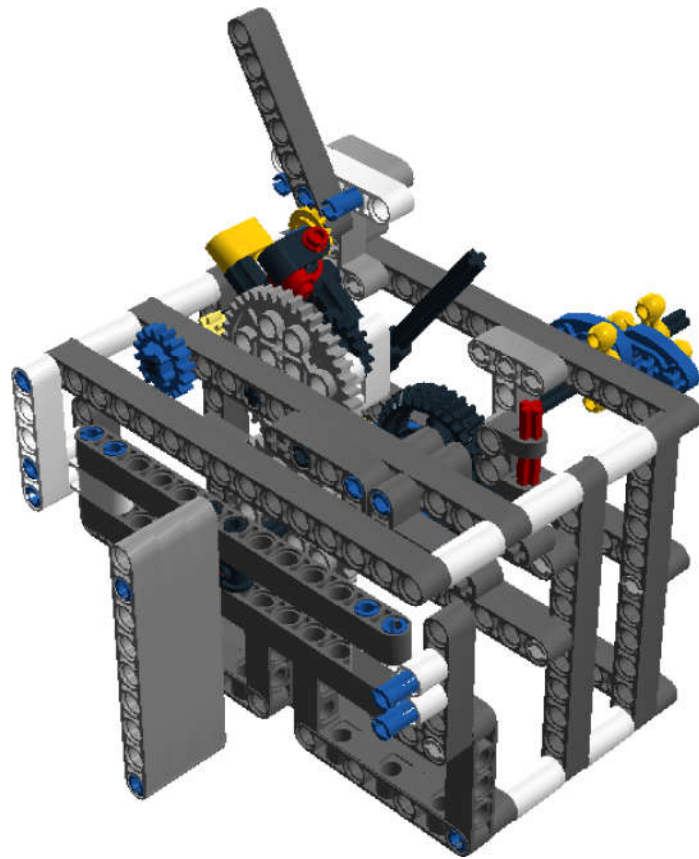
Step 64 of 84

1 x



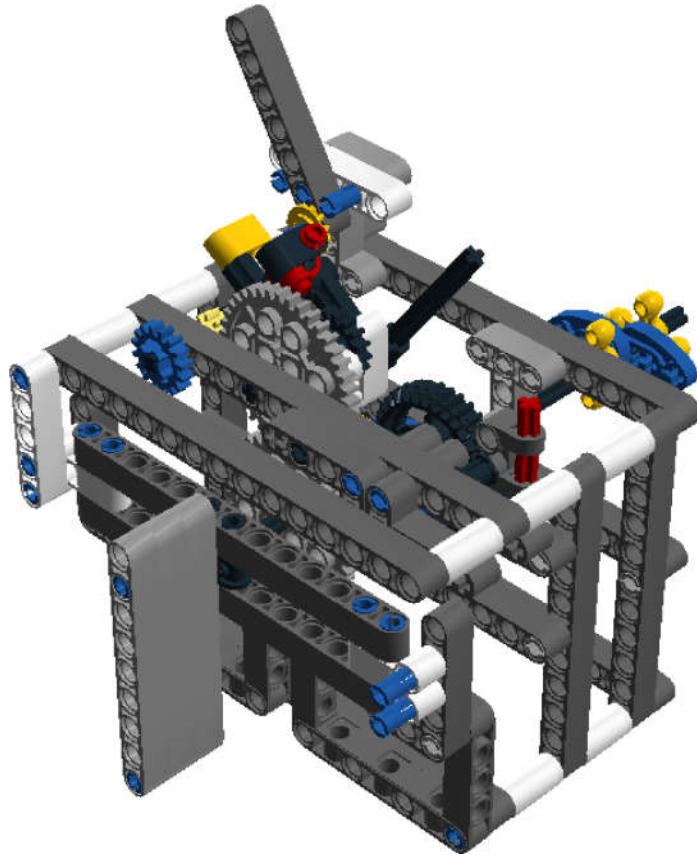
1 x





Step 66 of 84

1 x



Step 67 of 84

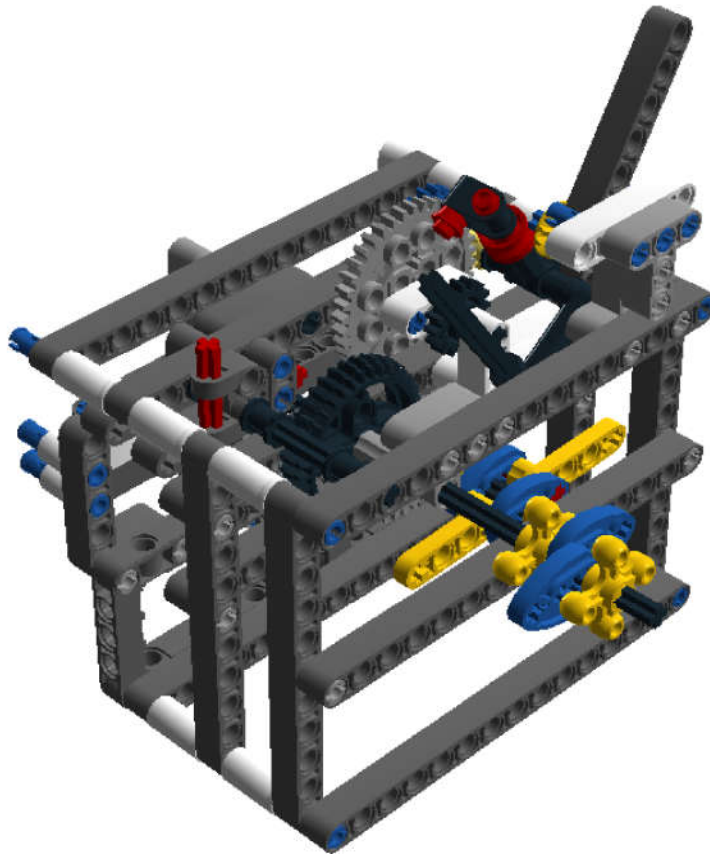
2 x



1 x



1 x



Step 68 of 84

1 x



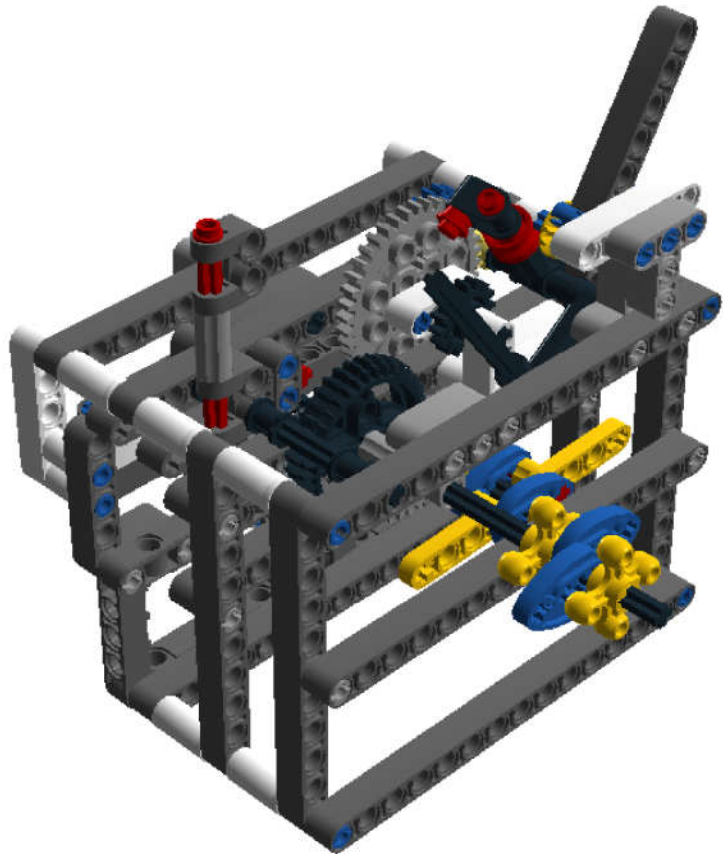
1 x



1 x



1 x



Step 69 of 84

1 x



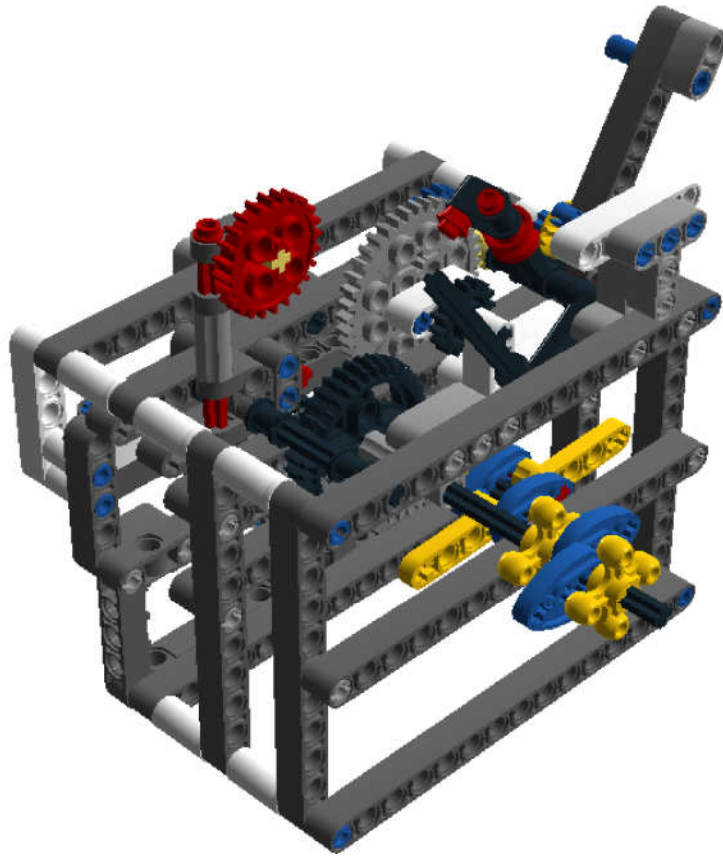
1 x



1 x



1 x

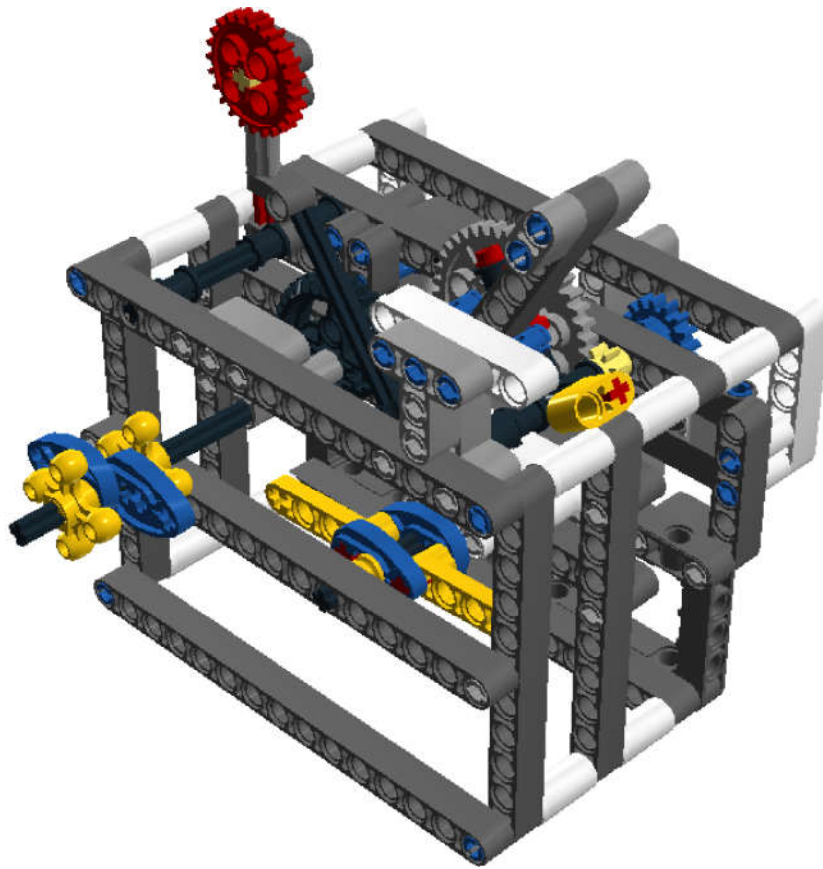


Step 70 of 84

1 x



1 x



Step 71 of 84

1 x

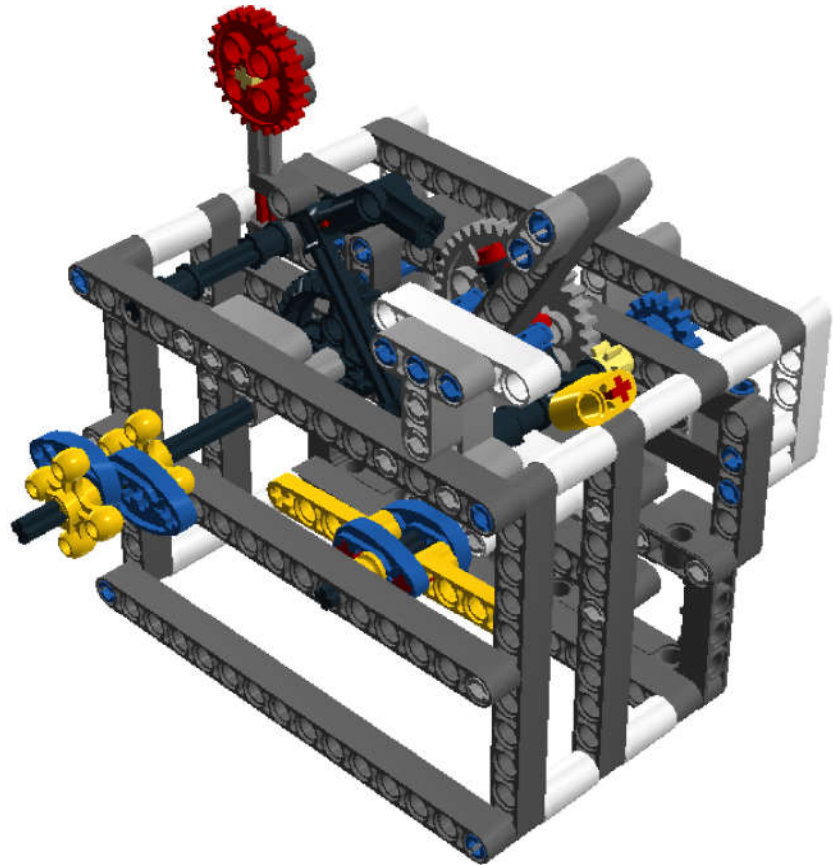


1 x



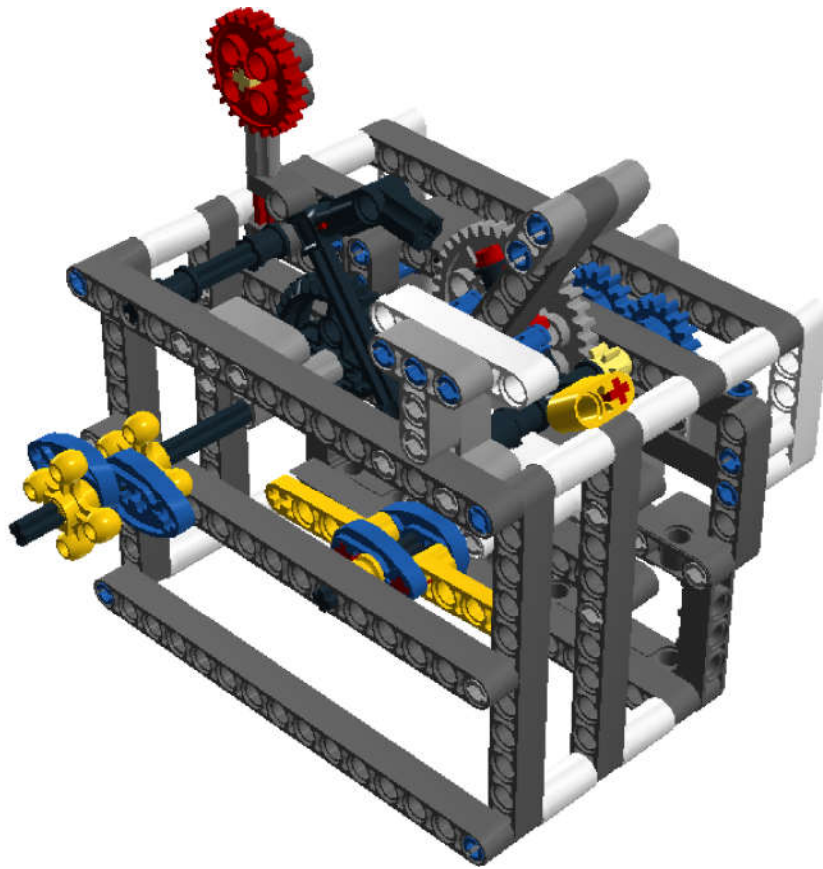
1 x





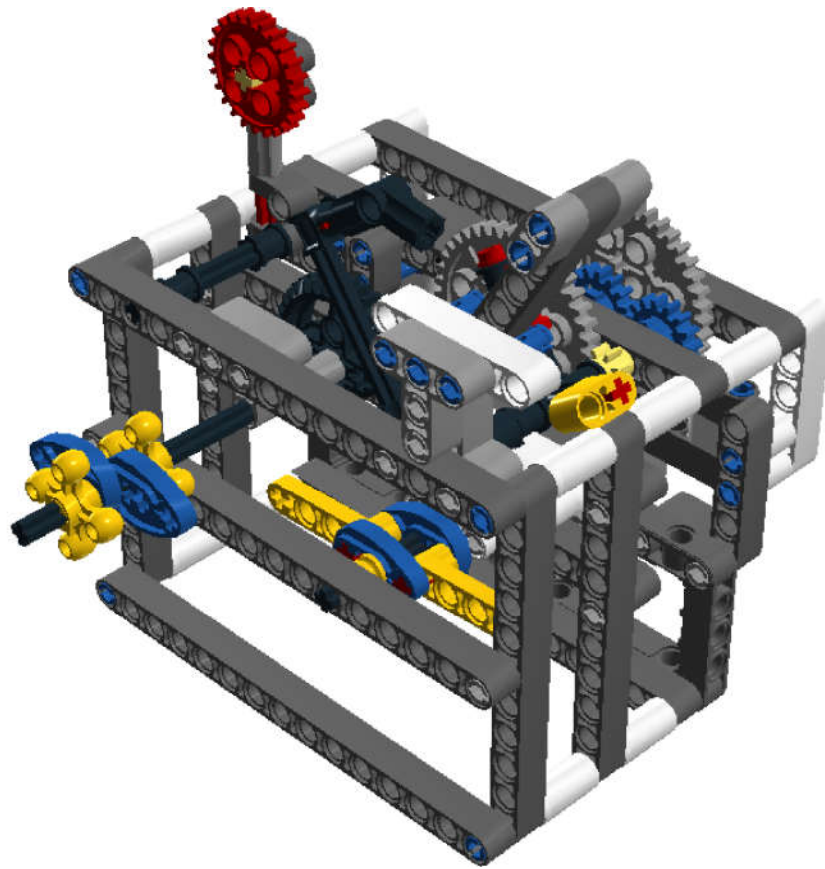
Step 73 of 84

1 x



Step 74 of 84

1 x



Step 75 of 84

1 x



1 x



1 x



Step 76 of 84

1 x



1 x



1 x



1 x



Step 77 of 84

1 x

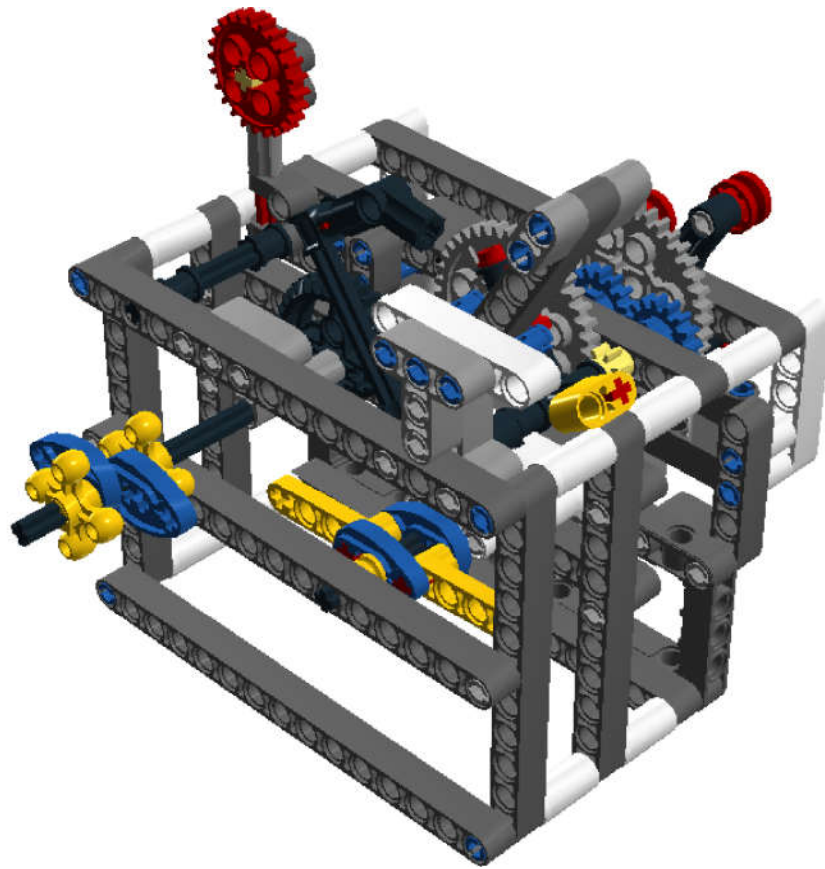


1 x



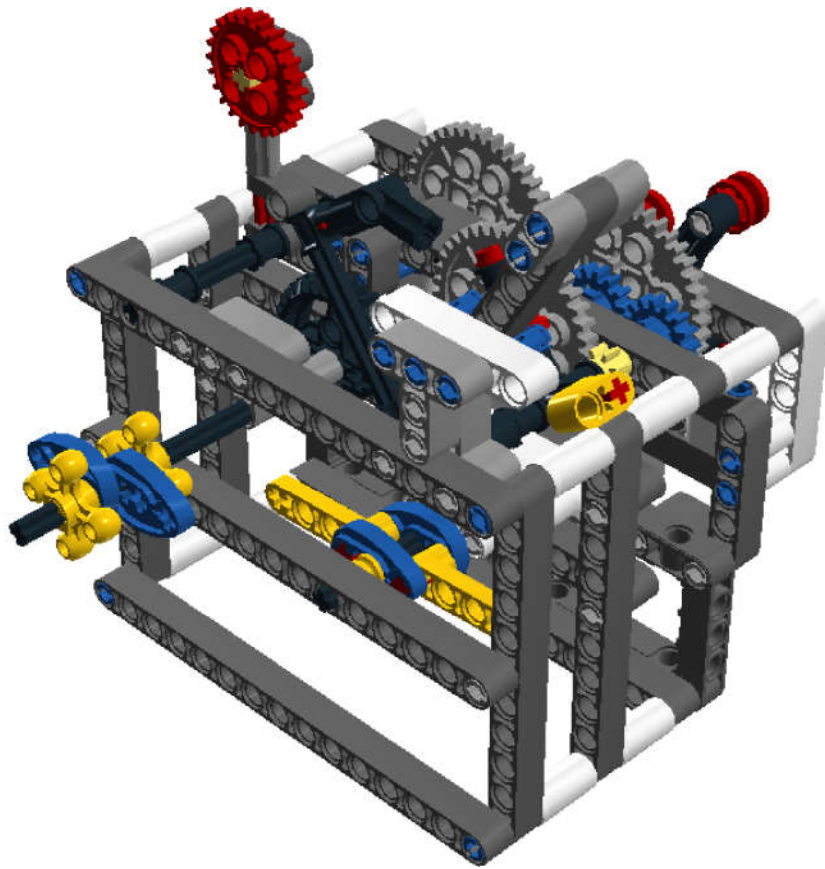
2 x





Step 79 of 84

1 x



Step 80 of 84

1 x



1 x



Step 81 of 84

1 x



Step 82 of 84

1 x



1 x



1 x



1 x



Step 83 of 84

1 x

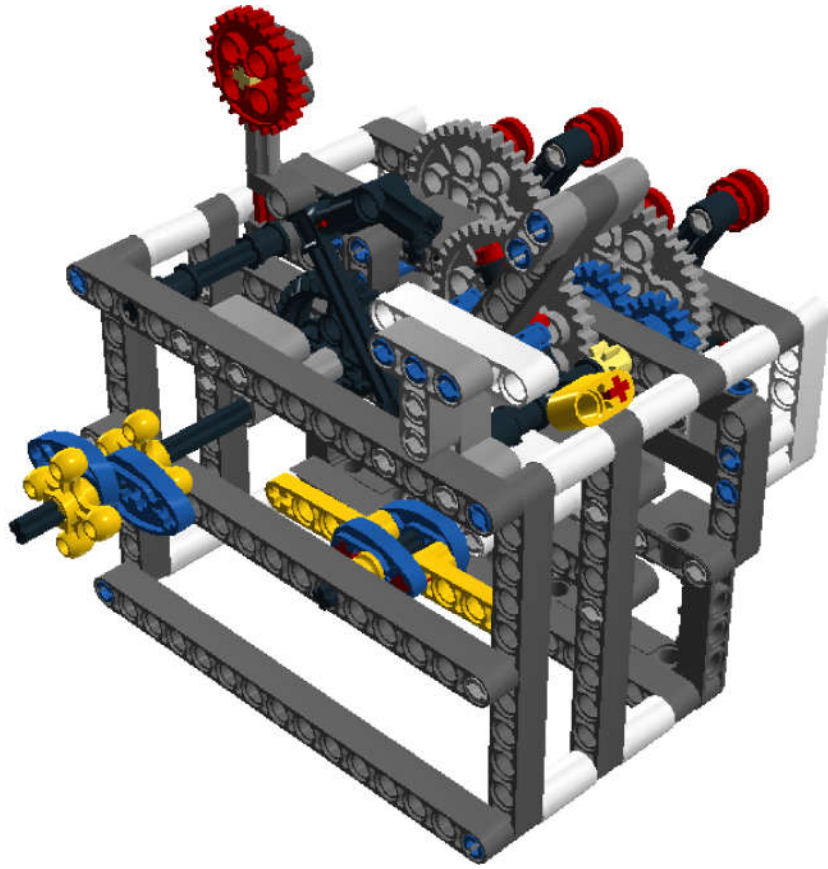


1 x



2 x





| | | | | | | | | |
|------|---|---|------|---|--|------|---|--|
| 1 x |  | PLATE 1X1 ROUND - ?? Material21?? | 2 x |  | TECHNIC 2M BEAM - ?? Material194?? | 1 x |  | TECHNIC 2M BEAM - ?? Material199?? |
| 2 x |  | TECHNIC 3M BEAM - ??Material1?? | 4 x |  | TECHNIC 5M BEAM - ??Material1?? | 1 x |  | TECHNIC 7M BEAM - ?? Material199?? |
| 3 x |  | TECHNIC ANG. BEAM 4X2 90 DEG - ??Material199?? | 3 x |  | TECHNIC 9M BEAM - ?? Material194?? | 3 x |  | T-BEAM 3X3 W/HOLE Ø4.8 - ?? Material194?? |
| 4 x |  | TECHNIC 11M BEAM - ?? Material199?? | 2 x |  | TECHNIC 13M BEAM - ?? Material199?? | 8 x |  | TECHNIC 15M BEAM - ?? Material199?? |
| 1 x |  | TECHNIC ANG. BEAM 3X5 90 DEG. - ??Material1?? | 2 x |  | TECHNIC ANG. BEAM 3X5 90 DEG. - ??Material199?? | 4 x |  | COMB WHEEL - ??Material23?? |
| 2 x |  | TECHNIC LEVER 4M - ?? Material24?? | 2 x |  | 1/2 BUSH - ??Material24?? | 1 x |  | CONNECTOR PEG W. KNOB - ?? Material194?? |
| 5 x |  | 2M CROSS AXLE W. GROOVE - ?? Material21?? | 1 x |  | CONNECTOR PEG - ??Material26?? | 25 x |  | CONNECTOR PEG - ?? Material194?? |
| 1 x |  | CONNECTOR PEG/CROSS AXLE - ??Material226?? | 5 x |  | BUSH FOR CROSS AXLE - ?? Material26?? | 3 x |  | CONN.BUSH W.FRIC./CROSSALE - ??Material23?? |
| 35 x |  | CONNECTOR PEG W. FRICTION 3M - ??Material23?? | 2 x |  | 3M CONNECTOR PEG - ?? Material23?? | 2 x |  | CROSS AXLE, EXTENSION, 2M - ??Material194?? |
| 3 x |  | CROSSAXLE 3M WITH KNOB - ?? Material21?? | 1 x |  | CATCH W. CROSS HOLE - ?? Material26?? | 3 x |  | CROSS AXLE 5M - ??Material26?? |
| 1 x |  | CROSS BLOCK 90° - ?? Material26?? | 7 x |  | ANGLE ELEMENT, 0 DEGREES [1] - ??Material26?? | 7 x |  | HUB Ø11,2 X 7,84 - ??Material21?? |
| 1 x |  | BEAM 1X2 W/CROSS AND HOLE - ??Material24?? | 10 x |  | TUBE Ø7,84 2M - ??Material1?? | 2 x |  | CROSS AXLE 6M - ??Material26?? |
| 1 x | | CROSS AXLE 4M WITH END STOP - ??Material21?? | 3 x | | CROSS AXLE 8M - ??Material26?? | 1 x | | CROSS AXLE 9M - ??Material26?? |



2 x



ANGLE ELEMENT, 90 DEGREES [6]
- ??Material26??

2 x



TECHNIC CROSS BLOCK/FORK
2X2 - ??Material199??

1 x



ANGLE ELEMENT 135 DEG. [4] - ??
Material26??

1 x



MODULE BUSH - ??Material26??

2 x



TECHNIC CROSSBLOCK 2X3 - ??
Material1??

2 x



3-BRANCH CROSS AXLE
W/CROSS H. - ??Material26??

2 x



BEAM FRAME 5X7 Ø 4.85 - ??
Material199??

1 x



CONICAL WHEEL Z12 - ??
Material24??

1 x



GEAR WHEEL T=8, M=1 - ??
Material26??

2 x



GEAR WHEEL Z16 - ??Material23??

1 x



GEAR WHEEL Z16 - ??Material26??

2 x



TECHNIC ANGULAR WHEEL - ??
Material24??

1 x



GEAR WHEEL Z24 - ??Material21??

1 x



DOUBLE CONICAL WHEEL Z36 -
??Material26??

4 x



GEAR WHEEL 40T - ??
Material194??